

A Type



TLGA Separate type



TLGB Frame type

The TLGA type drag chains are suitable for installing a large quantity and heavy duty of cables and oil pipes which allow suspending installation ( supporting is not allowed) and is lengthy. The supporting plate can be made according to the user requirements. It is suitable for machine tools and moving machines. Their bent radius ranges from 50–600mm and the chain height is from 35 to 150mm. Users can make a free selection of them.

The TLGA type drag chains has a max. travel range of 32 meters and are suitable for all kinds of transmissions. It can freely be made longer or shorter. In addition, the bend radius can be changed by changing the pinshaft.

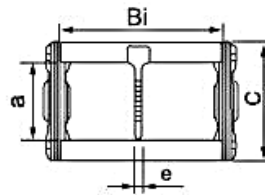
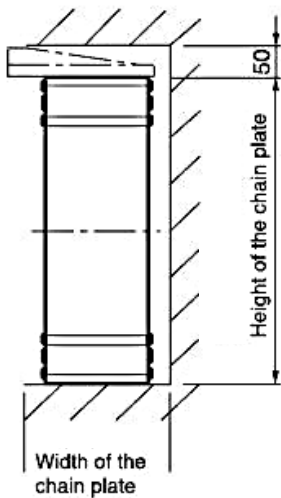
The width of the supporting board is from 150mm to 600mm. The distance between the holes is 5mm.

The height of the supporting board depends on the max. outside diameter of the cables. When the machine tool is working in the highest speed and if the max. width of the drag chain is longer than 300mm with the chain length longer than 4m, one size larger than normal should be selected just out of consideration of safety.

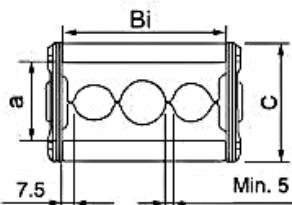
The bend radius should be selected according to the max. diameter of a cable and should be 10 times of the diameter of the cable used. The bend radius can be selected as 50–600mm according to the given table. Small radius should be selected for those ones with small travel range.

Drag chain length= 1/2 travel range + 4 bend radius, this is only used for the fixed connection which is located at the middle point of the travel range.

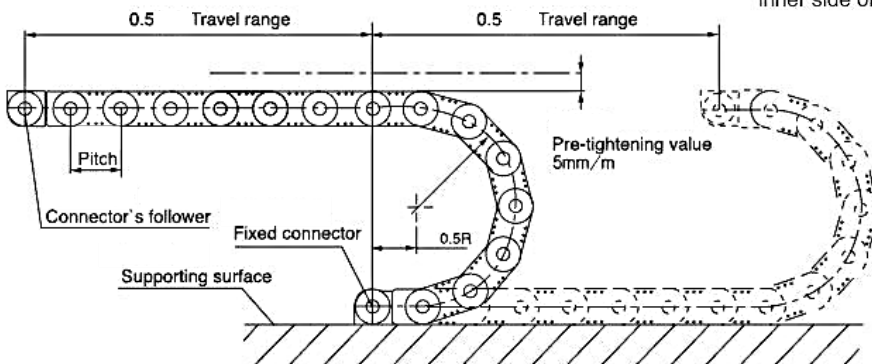
The fixation of the drag chains can be done according to the location of the machine tools. The angle steel can be put in the outer or the inner, in other words, in the inner side of the chains or in the outer side. In common cases, it is in the inner side of the chains and face towards outside.



GLE-A-plastic intermediate spacer



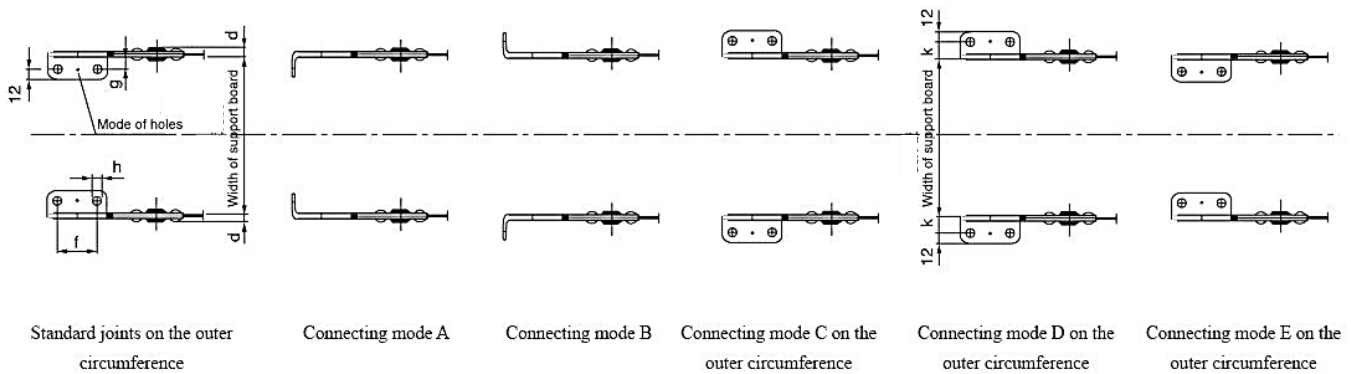
GLE-B-aluminium alloy supporting board



unitmc.ru

## Main parameters & demensions for TLG type steel drag chains

Type	R Bending radius (mm)	Pitch	Inside height	c	d	e	f	g	h	k	When non-support roller is allowed		Weight (100mm)
											(m) Length	(kg/m) Load	
TLG20	100/150/200/250/300	75	31	50	8	4	30	12	9	12	3/2/2	20/30/30	4.90/4.80/5.50
TLG30	150/200/250/300/400	100	49	75	10	4	50	17	11	17	4/3/3	25/40/40	9.10/9.10/10.00
TLG40	200/250/300/400/500	125	68	100	14	4	70	22	13	22	6/4/4	30/50/50	18.10/18.10/19.30
TLG50	250/300/400/500/600	175	118	150	14	8	115	26	13	26	10/8	10/30	25.00



Specifications for ordering: Travel 11.2m, Bending radius 300mm, 3 Cable diameter 48, 3 Cable diameter 28, 2 Hoses diameter 36

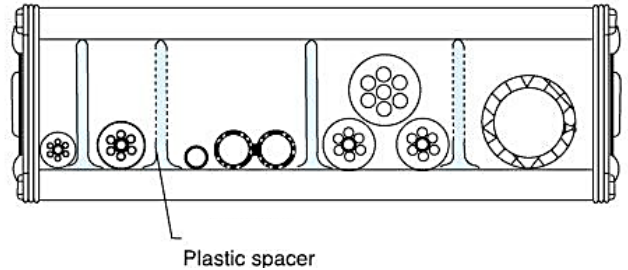
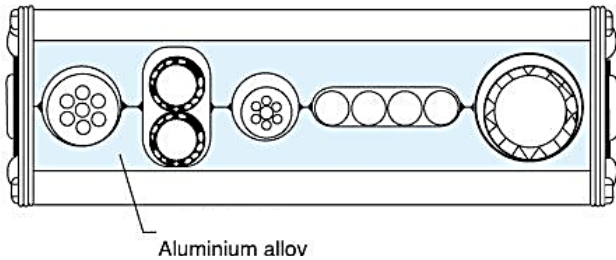
Type	Radius	Length	Width of support board	Mode of fixing	Mode of installation
TLG-A75 /	300 x	6875 /	350—	D / E	“S”

### TLGA type supporting boards in various specifications

The TLGA type aluminium alloy drag chains are different from the ordinary ones. They can be made by using fixed aluminium shape materials to meet the needs of the users. The width of the supporting board can be 1200mm. When operating under high operating speed and high travel speed, the drag chains can be separated from one another so as to ensure the cables being protected in a very safe conditions.

One supporting board is provided for every two chain joints. If one supporting board is needed for each chain joint, please give a clear indication of the model no. 10A/20A/30A/40A/50A rather than 10B/20B/30B/40B/50B, i.e. TLG20B/200X2100/200 “h” or TLG221/200X2100/200 “h” .

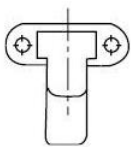
The order number for “Silver Star type drag chains with aluminium alloy guard is 10B/20B/30B. For further information, please see “Silver Star type Guards” below for details, i.e. TLG30B/200X2100/200 “h” .



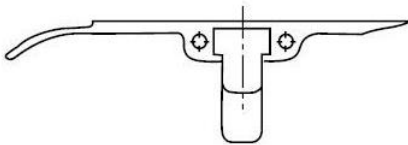
TLGB aluminium alloy type is the only solution to the larger size chains. The supporting boards can be made according to the requirements of the users. Thanks to the strong construction, the width of the supporting board can be 1200mm.

TLGB plastic spacing straps can moved and adjusted in position freely. See figure for details.

If cables in many different specifications, you may select this economic device.



Normal of support board



Sliver Star Protecting Board

TLGB type aluminium alloy protecting board is of completely enclosed type.

TLGB type drag chains are newly developed “Sliver Star Protecting Board”, which are made by using aluminium alloy. Various types of it are available for selection. The order number are 10B/20B/30B rather than 10A/20A/30A.

Features of the Sliver Star Supporting Board:

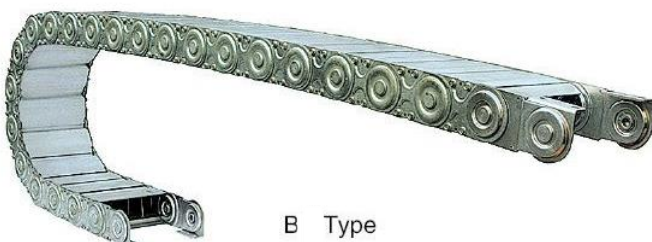
Nice-looking appearance

The shield structure device has passed more than 15 years experience successfully.

It is very stable and very solid protection for cables. The width can be 1000mm.

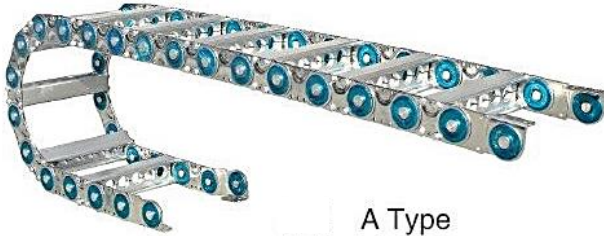
The drag chains can be opened up at any positions.

The “Sliver Star Protecting Board” can be installed according to the user request.

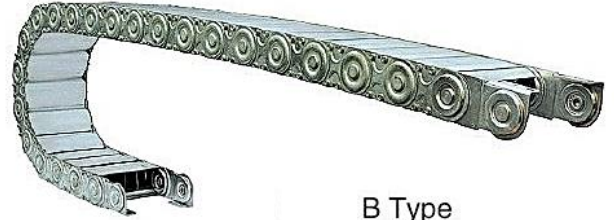


B Type

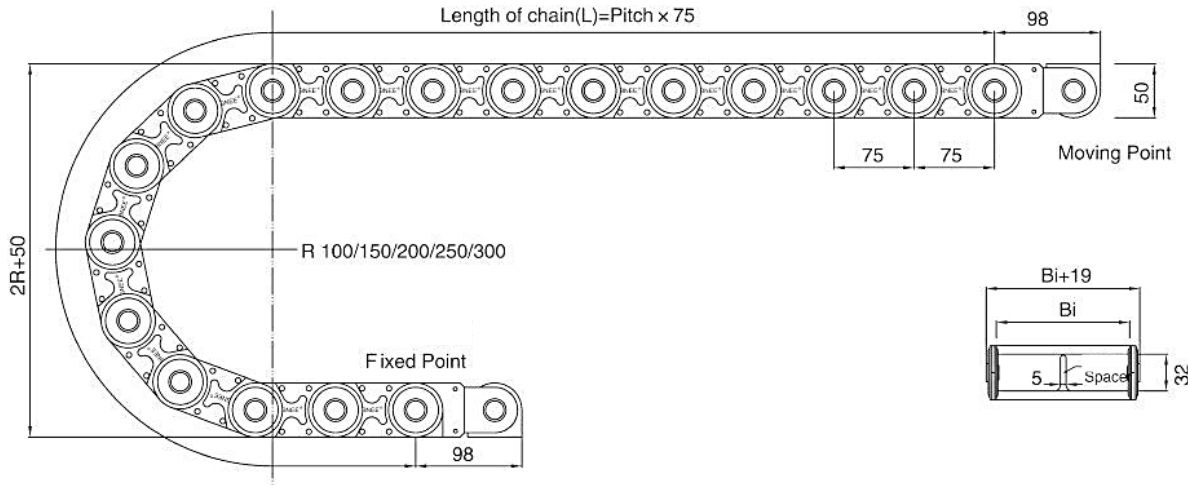
# Fixing Dimensions Drawing Steel Drag Link of Model TLG75



A Type



B Type

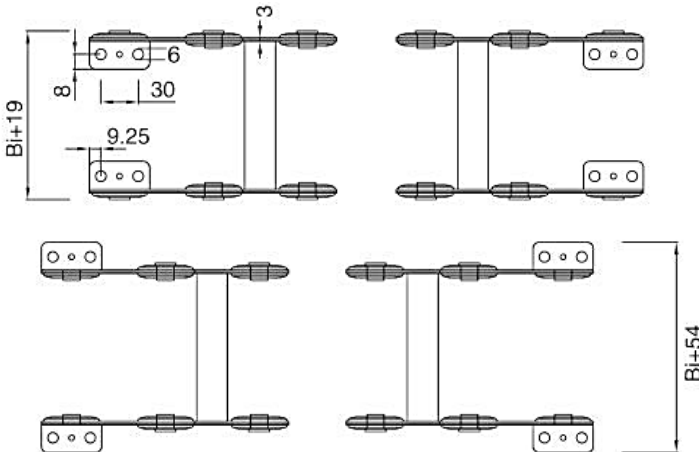


Standard connection

Standard connection

Manner of connection A

Manner of connection B



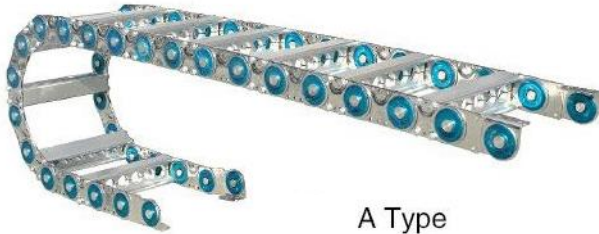
**Example for an order**  
 Drag chain model number TLGA75, supporting board II type, bend radius R=150, supporting board width Bi=200 length L=6500  
 Drag chain TLGA75 II -150 x 200 x 6500  
 II -type Separate type of support board  
 III -type The upper one and the lower one are made of aluminium with spacer inside

**Legends:**

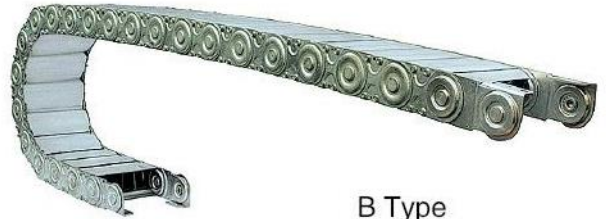
- L = length of drag chains
- Bi = Width of supporting board of drag chain
- Bending radius
- Supporting Board Type II、III
- Model No.

unitmc.ru

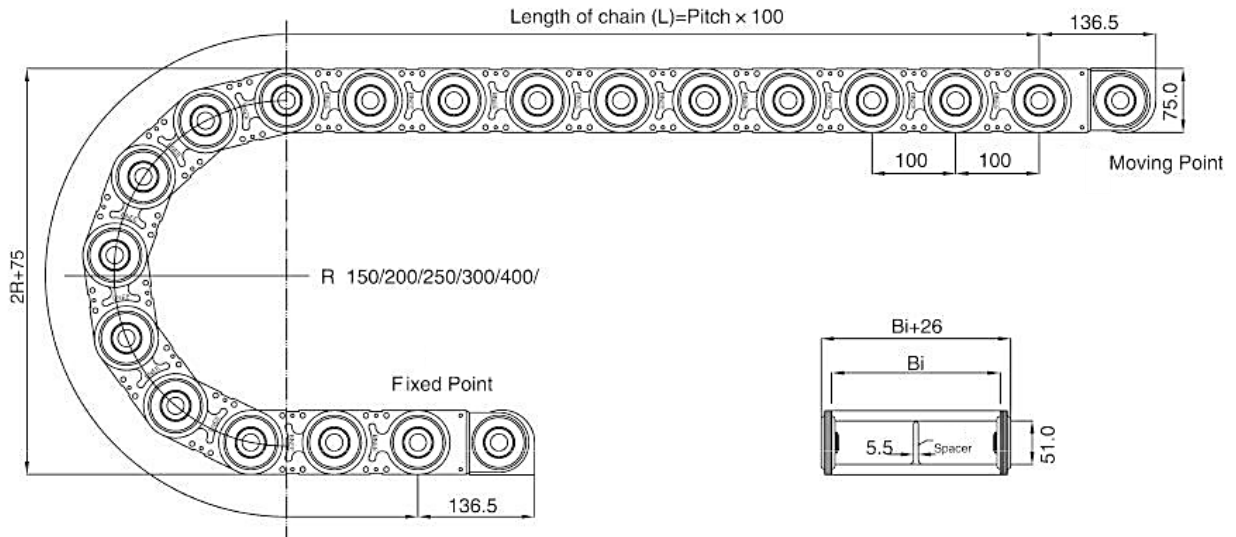
# Fixing Dimensions Drawing Steel Drag Link of Model TLG100



A Type



B Type



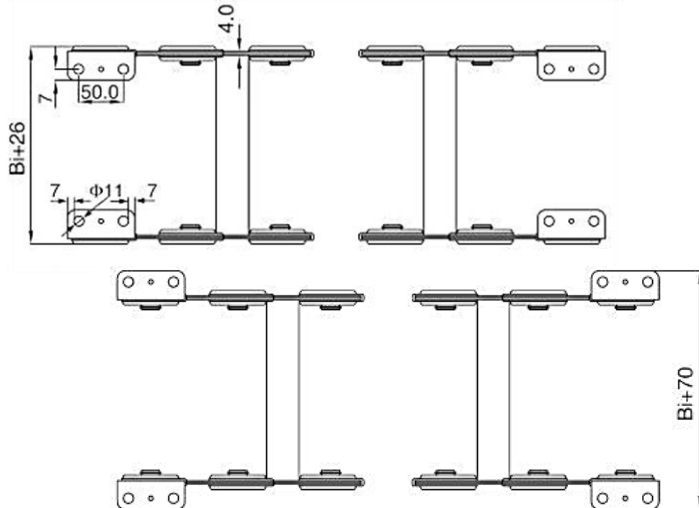
unitmc.ru

Standard connection

Standard connection

Manner of connection A

Manner of connection B



### Example for an order

Drag chain model number TLGA100, supporting board III type, bend radius  $R=150$ , supporting board width  $B_i=200$  length  $L=7500$

Drag chain TLGA100III-250 x 200 x 7000

II-type Separate type of support board

III-type The upper one and the lower one are made of aluminium with spacer inside

### Legends:

$L$  = length of drag chains

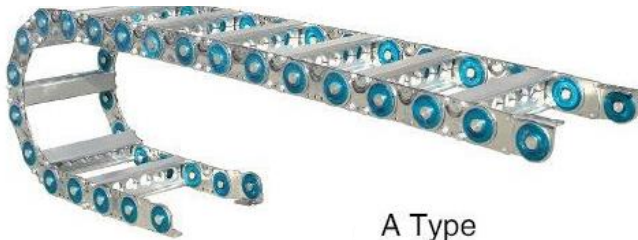
$B_i$  = Width of supporting board of drag chain

Bending radius

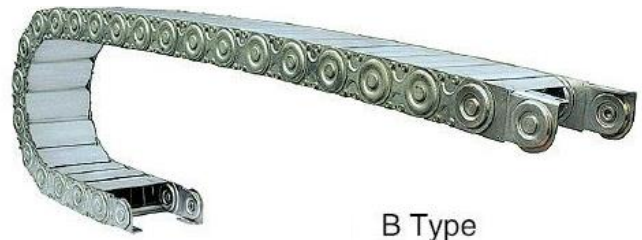
Supporting Board Type II、III

Model No.

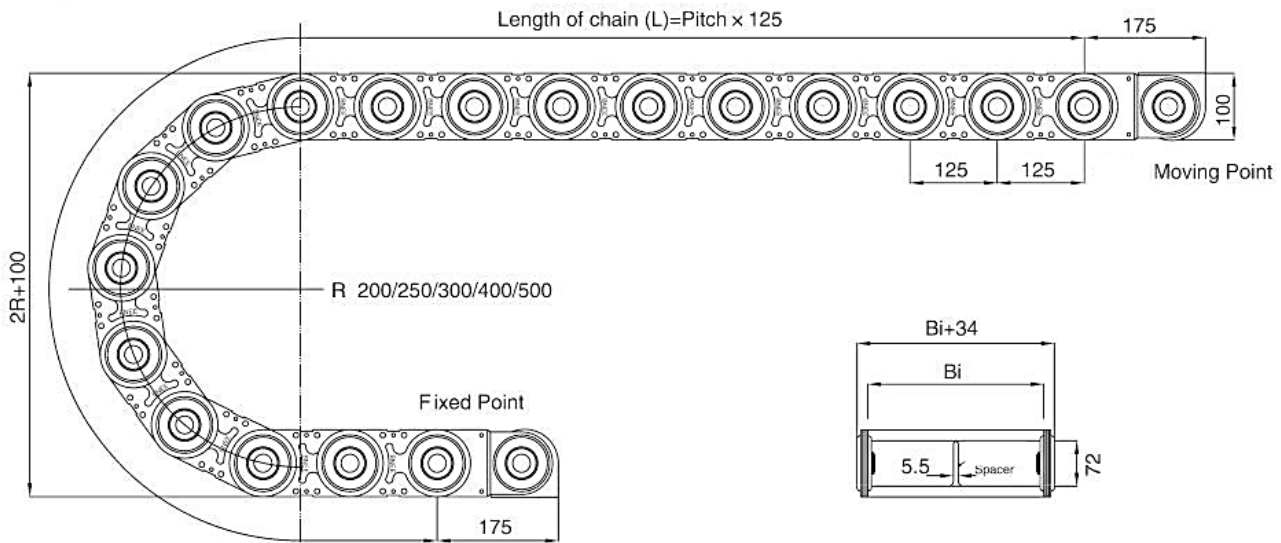
# Fixing Dimensions Drawing Steel Drag Link of Model TLG125



A Type



B Type



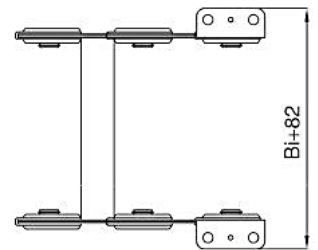
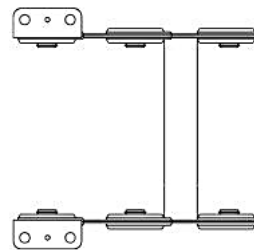
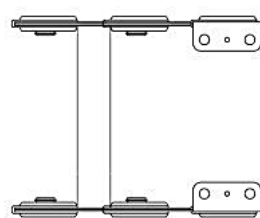
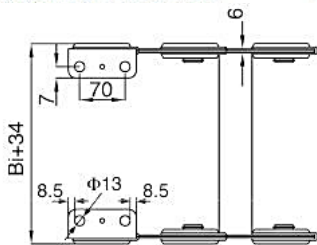
unitmc.ru

Standard connection

Standard connection

Manner of connection A

Manner of connection B



**Example for an order**

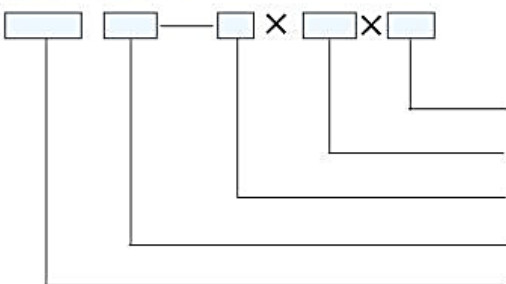
Drag chain model number TLGB125, supporting board III type, bend radius R=300, supporting board width Bi=200 length L=7500

Drag chain TLGB125III-300 x 200 x 7500

II -type Separate type of support board

III-type The upper one and the lower one are made of aluminium with spacer inside

**Legends:**



L = length of drag chains

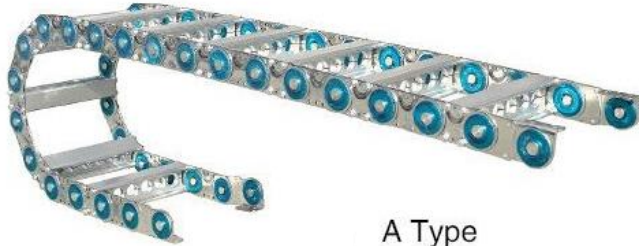
Bi = Width of supporting board of drag chain

Bending radius

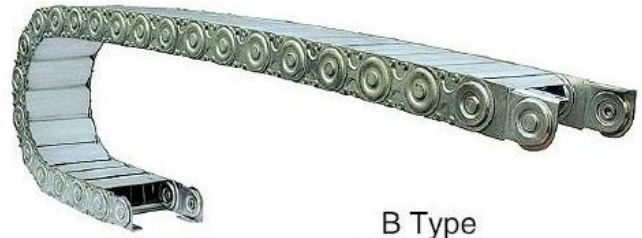
Supporting Board Type II、III

Model No.

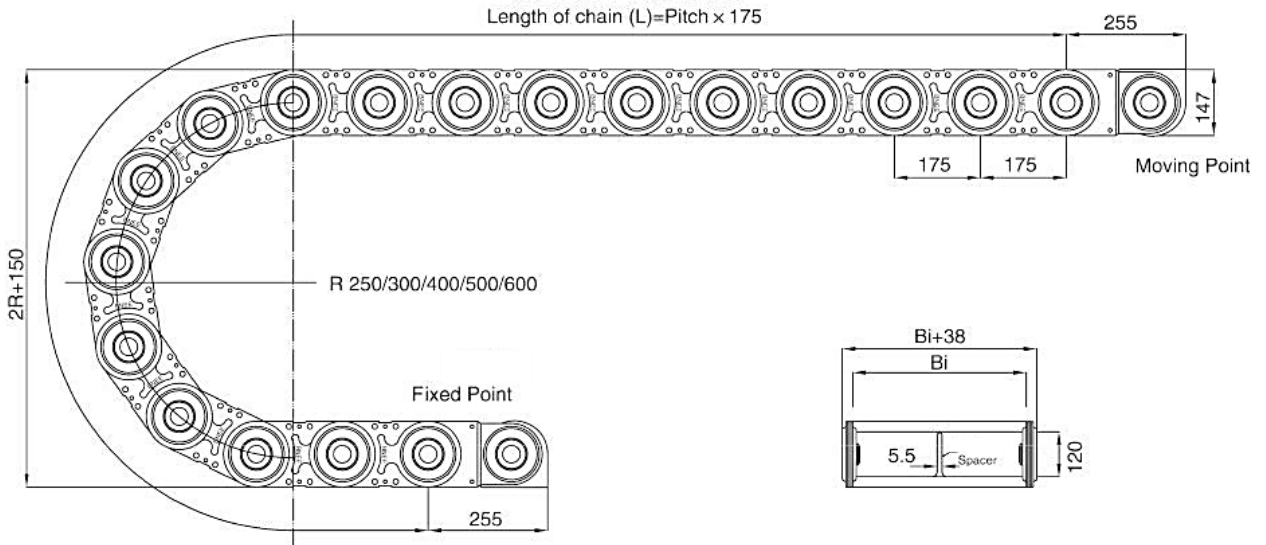
# Fixing Dimensions Drawing Steel Drag Link of Model TLG175



A Type



B Type



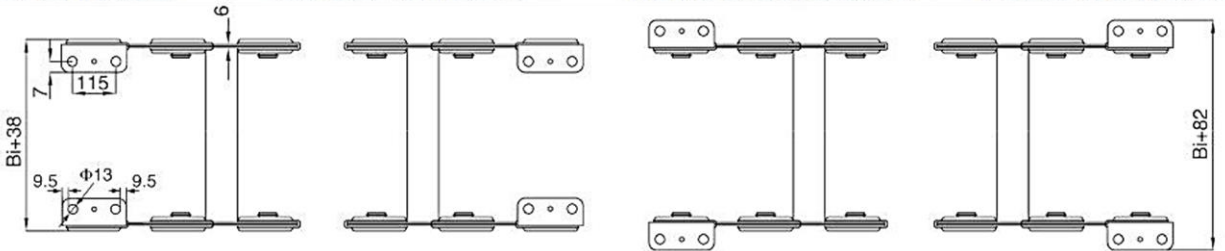
unitmc.ru

Standard connection

Standard connection

Manner of connection A

Manner of connection B



**Example for an order**

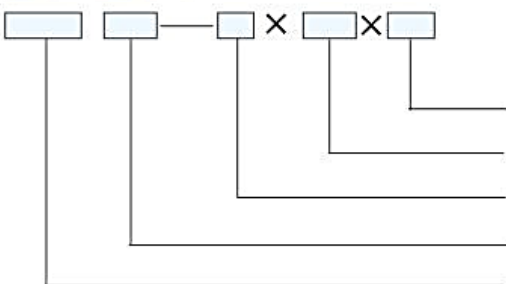
Drag chain model number TLGA175, supporting board II type, bend radius R=500, supporting board width Bi=200 length L=9000

Drag chain TLGA175 II -500 x 200 x 9000

II -type Separate type of support board

III -type The upper one and the lower one are made of aluminium with spacer inside

**Legends:**



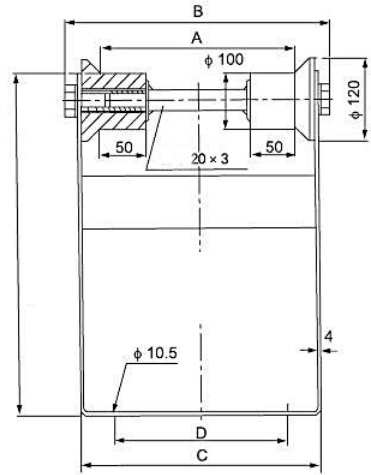
L = length of drag chains

Bi = Width of supporting board of drag chain

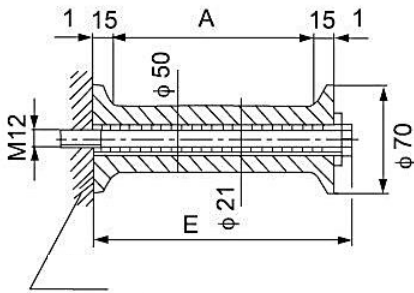
Bending radius

Supporting Board Type II、III

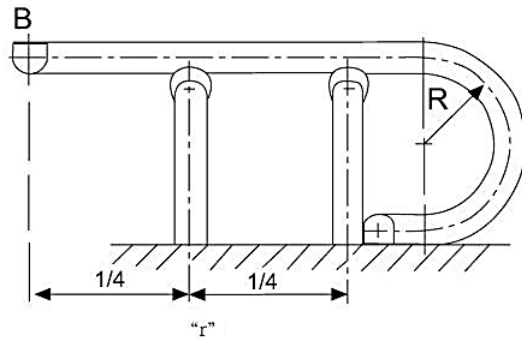
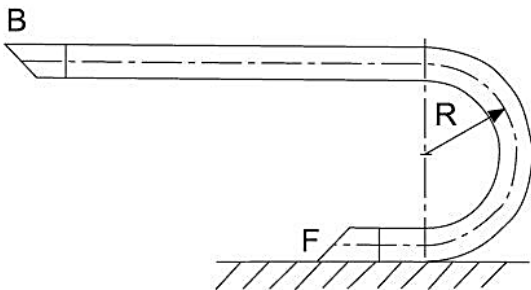
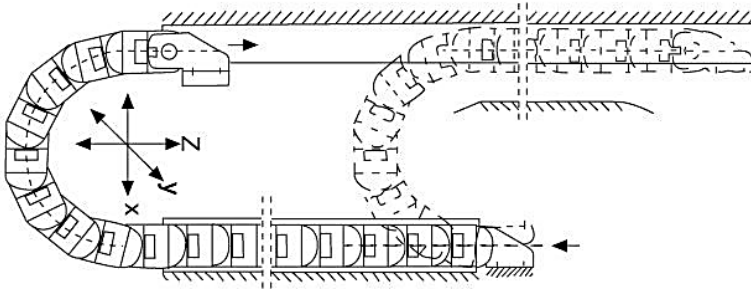
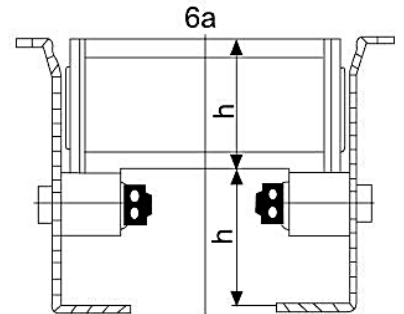
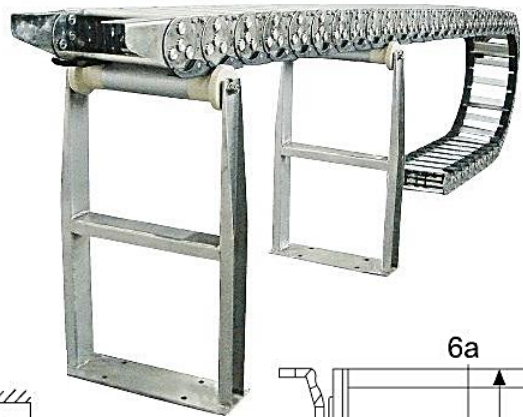
Model No.



Back up wheel with supportings



Not Back up wheel with supportings



Supporting rolling pulley