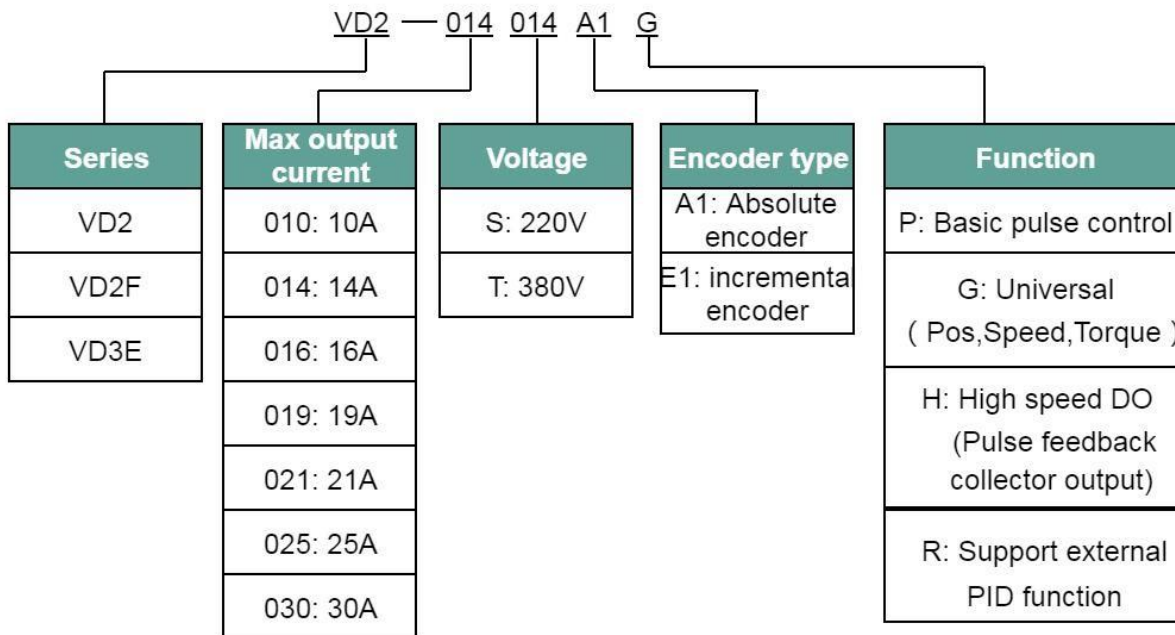
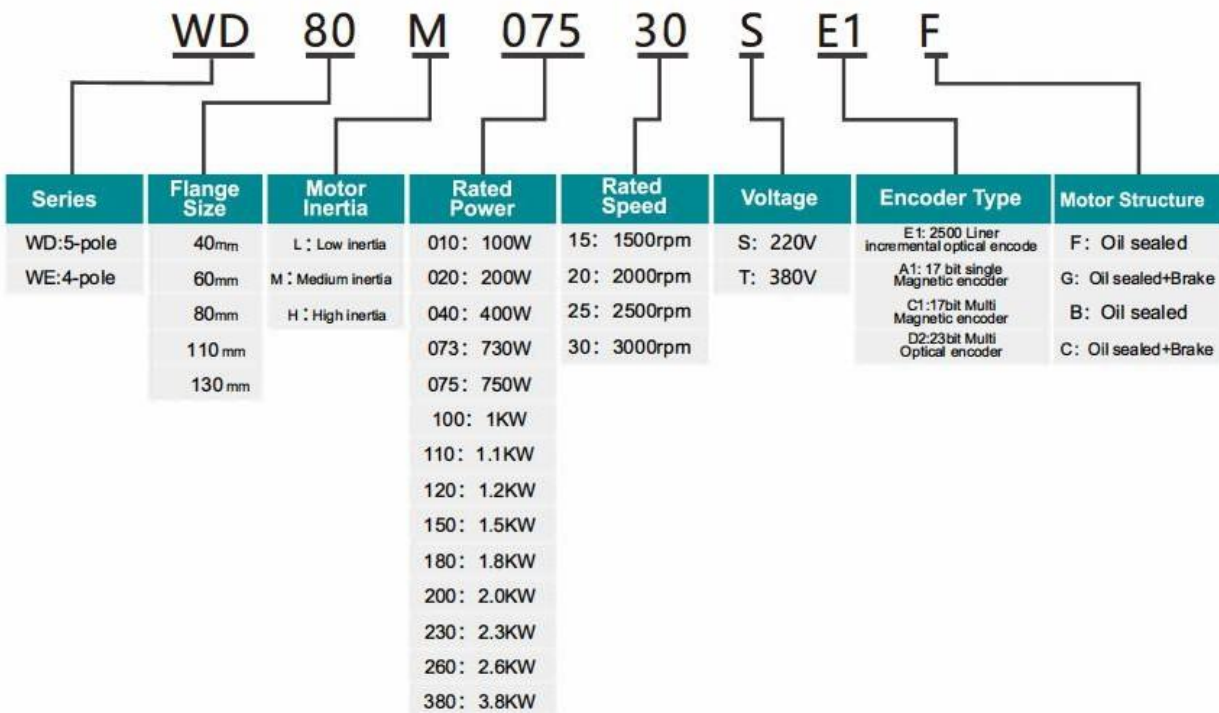


Driver Naming Rules



Motor Naming Rules



VD3E 17 bit Absolute Single-turn Magnetic Encoder

Flange Size	Motor Model	Drive Model	Rated Torque (Nm)	Rated Speed (rpm)	Voltage
80	WE80M-11030S-A1F	VD3E-016SA1G	3.5	3000	220V
80	WE80M-10025S-A1F	VD3E-016SA1G	4	2500	220V
80	WE80M-12030S-A1F	VD3E-016SA1G	4	3000	220V
110	WE110M-12030S-A1F	VD3E-016SA1G	4	3000	220V
110	WE110M-15030S-A1F	VD3E-019SA1G	5	3000	220V
110	WE110M-18030S-A1F	VD3E-019SA1G	6	3000	220V

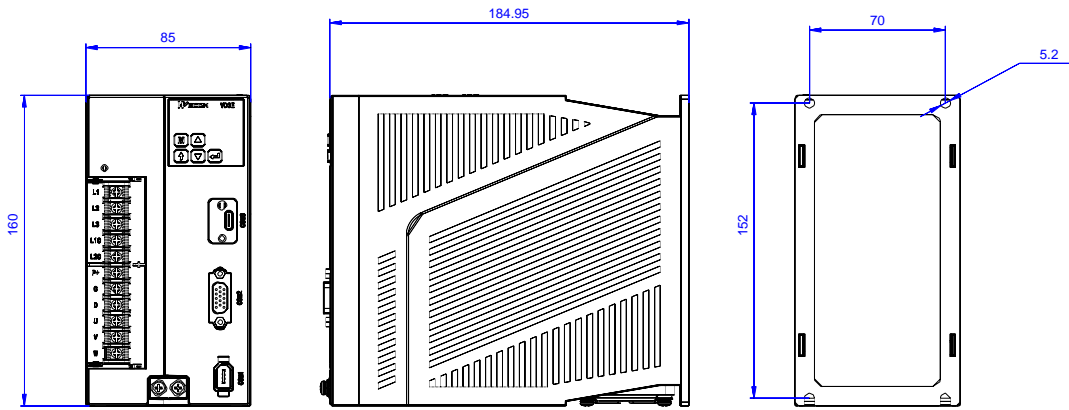


VD3E 17 bit Absolute Multi-turn Magnetic Encoder

Flange Size	Motor Model	Drive Model	Rated Torque (Nm)	Rated Speed (rpm)	Voltage
80	WE80M-11030S-C1F	VD3E-016SA1G	3.5	3000	220V
80	WE80M-12030S-C1F	VD3E-016SA1G	4	3000	220V
110	WE110M-12030S-C1F	VD3E-016SA1G	4	3000	220V
110	WE110M-15030S-C1F	VD3E-019SA1G	5	3000	220V
110	WE110M-18030S-C1F	VD3E-019SA1G	6	3000	220V
130	WE130M-10025S-C1F	VD3E-016SA1G	4	2500	220V
130	WE130M-13025S-C1F	VD3E-016SA1G	5	2500	220V
130	WE130M-15025S-C1F	VD3E-019SA1G	6	2500	220V
130	WE130M-20025S-C1F	VD3E-021SA1G	7.7	2500	220V
130	WE130M-15015S-C1F	VD3E-016SA1G	10	1500	220V
130	WE130M-26025S-C1F	VD3E-021SA1G	10	2500	220V
130	WE130M-23015S-C1F	VD3E-019SA1G	15	1500	220V
130	WE130M-38025S-C1F	VD3E-021SA1G	15	2500	220V

VD3E 23 bit Absolute Multi-turn Optical Encoder

Flange Size	Motor Model	Drive Model	Rated Torque (Nm)	Rated Speed (rpm)	Voltage
80	WE80M-11030S-D2F	VD3E-016SA1G	3.5	3000	220V
80	WE80M-12030S-D2F	VD3E-016SA1G	4	3000	220V
110	WE110M-12030S-D2F	VD3E-016SA1G	4	3000	220V
110	WE110M-15030S-D2F	VD3E-019SA1G	5	3000	220V
110	WE110M-18030S-D2F	VD3E-019SA1G	6	3000	220V
130	WE130M-10025S-D2F	VD3E-016SA1G	4	2500	220V
130	WE130M-13025S-D2F	VD3E-016SA1G	5	2500	220V
130	WE130M-15025S-D2F	VD3E-019SA1G	6	2500	220V
130	WE130M-20025S-D2F	VD3E-021SA1G	7.7	2500	220V
130	WE130M-15015S-D2F	VD3E-016SA1G	10	1500	220V
130	WE130M-26025S-D2F	VD3E-021SA1G	10	2500	220V
130	WE130M-23015S-D2F	VD3E-019SA1G	15	1500	220V
130	WE130M-38025S-D2F	VD3E-021SA1G	15	2500	220V
130	WE130M-26025S-D2F	VD3E-021SA1G	10	2500	220V
130	WE130M-38025S-D2F	VD3E-021SA1G	15	2500	220V



	IGBT PWM control sine wave current drive
	17bit/23bit absolute encoder
	6 DI inputs, select the input function according to the function code configuration
	3 DO outputs, select the output function according to the function code configuration
	USB interface. Function code parameter setting, status monitoring, waveform viewing, parameter self-tuning, etc. can be performed through upper computer
	Built-in braking resistor, support external braking resistor
	Automatic load inertia identification, automatic rigidity level and parameter self-tuning can be carried out through the cooperation of the upper computer
	The waveform of data such as real-time speed/torque/position deviation can be observed through the host computer
	The waveform acquisition frequency is 1KHz, and the original waveform data can be saved up to 10s
	Support batch parameter import and export, support SDO download
	Mechanical vibration can be suppressed by setting vibration suppression parameters
	Overvoltage, undervoltage, overcurrent, overspeed, overload, overheating, encoder failure, excessive position deviation, torque limit, speed limit, etc.
	Support output control
	Servo enable (SON), fault and warning clear (A-CLR), forward drive prohibition (POT), reverse drive prohibition (NOT), emergency stop (E-STOP)
	servo ready(RDY), fault signal (ALM), warning signal (WARN), rotation detection (TGON), zero speed signal (ZSP), torque limit (T-LIMIT), speed limit (V-LIMIT), servo open state output (SRV-ST), servo brake output (BRK-OFF), communication VDO
	EtherCAT protocol
	CoE (PDO, SDO)
	DC-distributed clock
	100BASE-TX
	100 Mbit/s (100Base-TX)
	full duplex
	circular, linear
	Shielded Cat 5e or better network cable.
	The distance between two nodes is less than 100M (the environment is good and the cable is good).
	The protocol supports up to 65535, and the actual use does not exceed 100.
	44 bytes~1498 bytes
	A single Ethernet frame is up to 1486 bytes.
	<1us
	64 bit
EEPROM Capacity	8kbit initialization data is written by the EtherCAT master station
Control Mode	CSP, HM
Sync Cycle	125μs

UnitMC.ru

80 Series Motor Specification

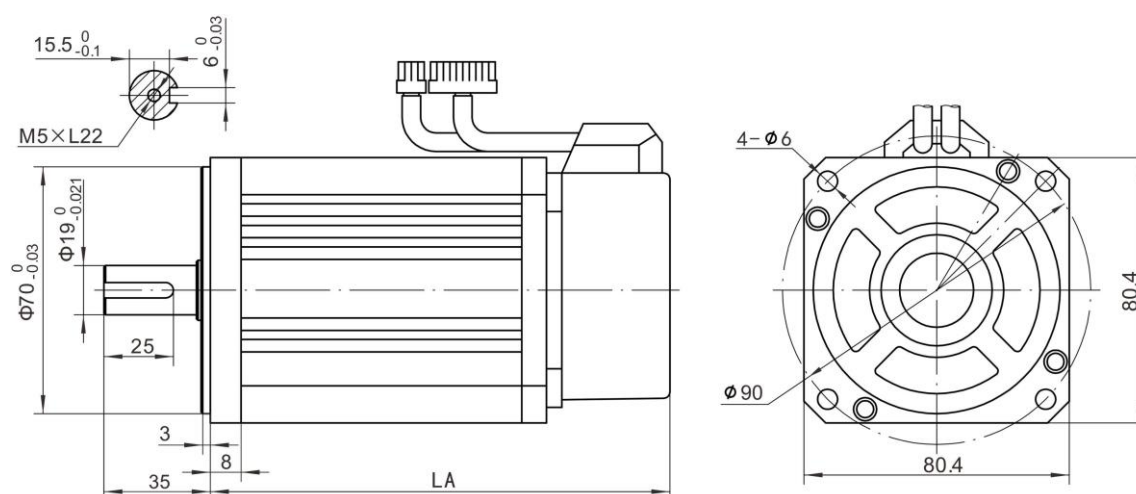
Motor model	WD80M-11030S★△	WD80M-10025S★△	WD80M-12030S★△
Rated power (kW)	1.1	1	1.2
Rated torque (N·m)	3.5	4	4
Rated speed (r/min)	3000	2500	3000
Brake	Optional	Optional	Optional
LA without Brake (mm)	179	191	191
LA with Brake (mm)	221	233	233

Remark:

★ : A1-17 bit single Magnetic encoder; C1-17 bit Multi Magnetic encode; D2- 23bit Multi Optical encoder

△ : F-sealed; G-sealed & Brake

-L: Connector type



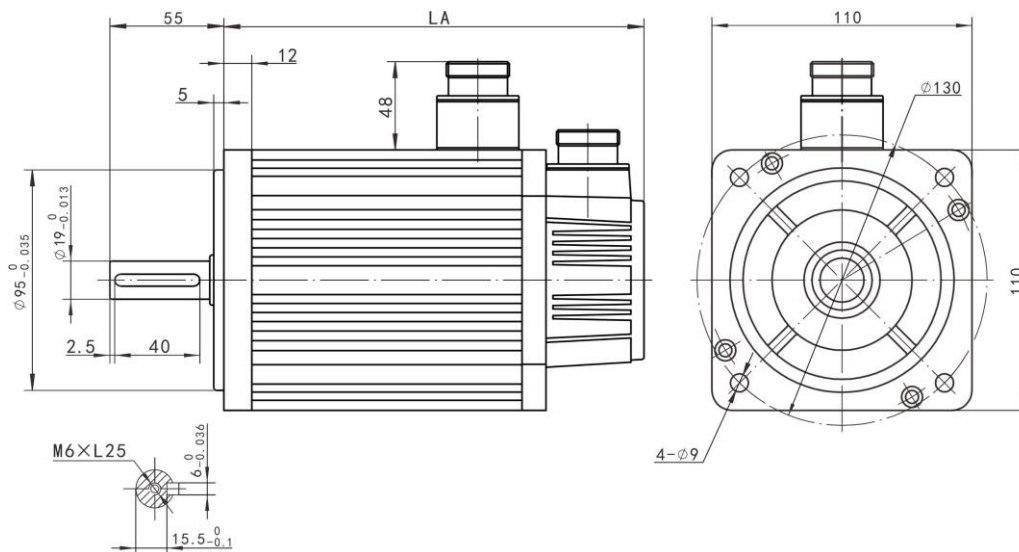
110 Series Motor Specification

Motor model	WE110M-12030S★△	WE110M-15030S★△	WE110M-18030S★△
Rated power (kW)	1.2	1.5	1.8
Rated torque (N·m)	4	5	6
Rated speed (r/min)	3000	3000	3000
Brake	Optional	Optional	Optional
LA without Brake (mm)	189	204	219
LA with Brake (mm)	254	269	284

Remark

★ : A1-17 bit single Magnetic encoder; C1-17 bit Multi Magnetic encode; D2- 23bit Multi Optical encoder

△ : F-sealed; G-sealed & Brake



130 Series Motor Specification

Motor model	WE130M-10025S★△	WE130M-13025S★△	WE130M-15025S★△	WE130M-20025S★△
Rated power (kW)	1.0	1.3	1.5	2.0
Rated torque (N·m)	4	5	5	7.7
Rated speed (r/min)	2500	2500	2500	2500
Brake	Optional	Optional	Optional	Optional
LA without Brake (mm)	166	171	171	192
LA with Brake (mm)	226	231	231	252

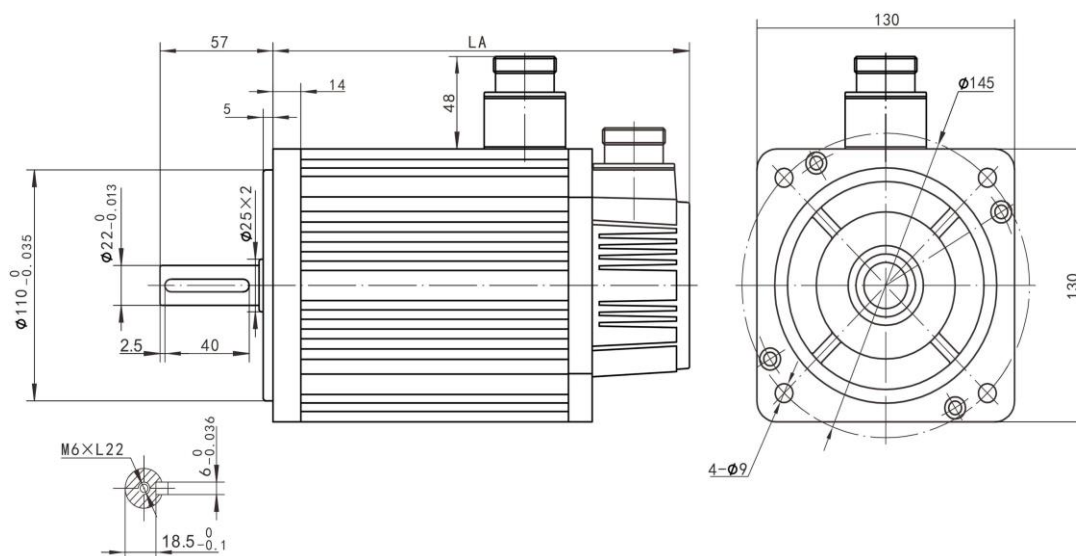
Motor model	WE130M-15015S★△	WE130M-26025S★△	WE130M-23015S★△	WE130M-38025S★△
Rated power (kW)	1.5	2.6	2.3	3.8
Rated torque (N·m)	10	10	15	15
Rated speed (r/min)	1500	2500	1500	2500
Brake	Optional	Optional	Optional	Optional
LA without Brake (mm)	213	213	241	231
LA with Brake (mm)	279	279	304	294

Remark:

★ : A1-17 bit single Magnetic encoder; C1-17 bit Multi Magnetic encode; D2- 23bit Multi Optical encoder

△ : F-sealed; G-sealed & Brake

-L: Connector type



130 Series Motor Specification

Motor model	WE130M-20025T★△	WE130M-26025T★△	WE130M-38025T★△
Rated power (kW)	2.0	2.6	3.8
Rated torque (N·m)	7.7	10	15
Rated speed (r/min)	2500	2500	2500
Brake	Optional	Optional	Optional
LA without Brake (mm)	192	213	231
LA with Brake (mm)	252	279	294

Remark:

★ : A1-17 bit single Magnetic encoder; C1-17 bit Multi Magnetic encode; D2- 23bit Multi Optical encoder

△ : F-sealed; G-sealed & Brake

-L: Connect

